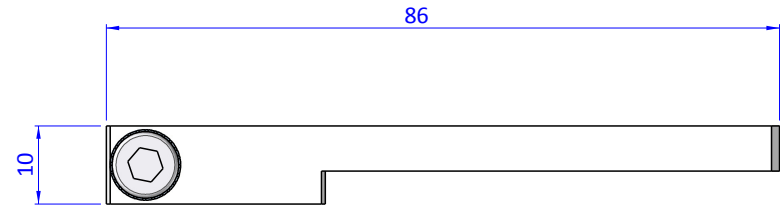
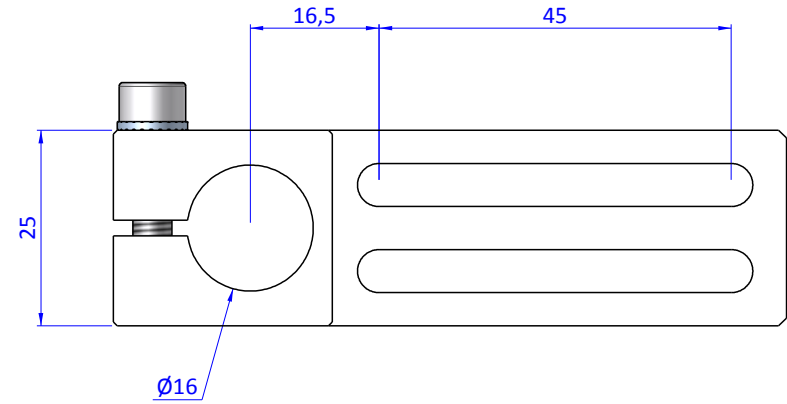
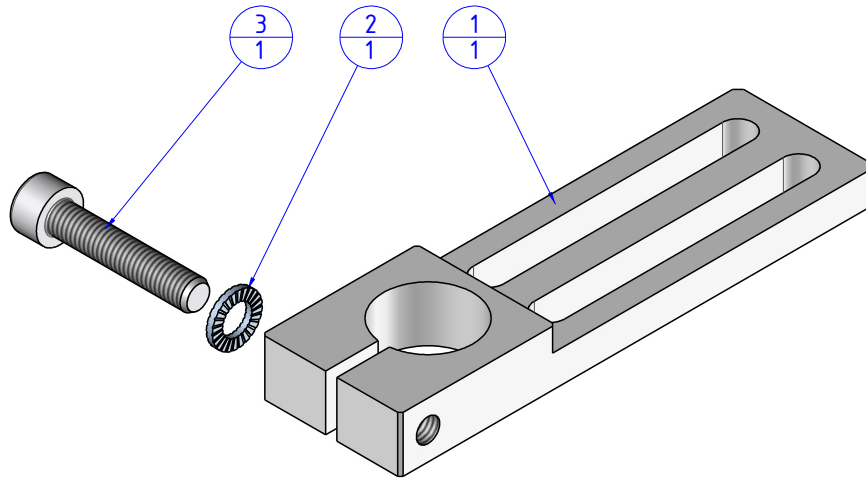


THE PROPERTY OF THE DRAWING IS ESTABLISHED BY LAW. IT IS FORBIDDEN TO PRODUCE OR SHOW IT TO THIRD PARTS WITHOUT A WRITTEN AGREEMENT.

Item	Name	Q.ty
1	04.02.16	1
2	R.5.SCH	1
3	V.TCE5x25	1



Format A3

UNI 936-76

<b>FP SERVICES</b> AUTOMATION		DESIGNED FROM		REVIEW
		FPSERVICES		A
GENERAL TOLERANCE		DATE	WEIGHT	
UNI - ISO 2768		30/04/2016	0,032kg	
CLASSE f	DESCRIPTION	CODE		
	CA.04.02.16	CA.04.02.16		